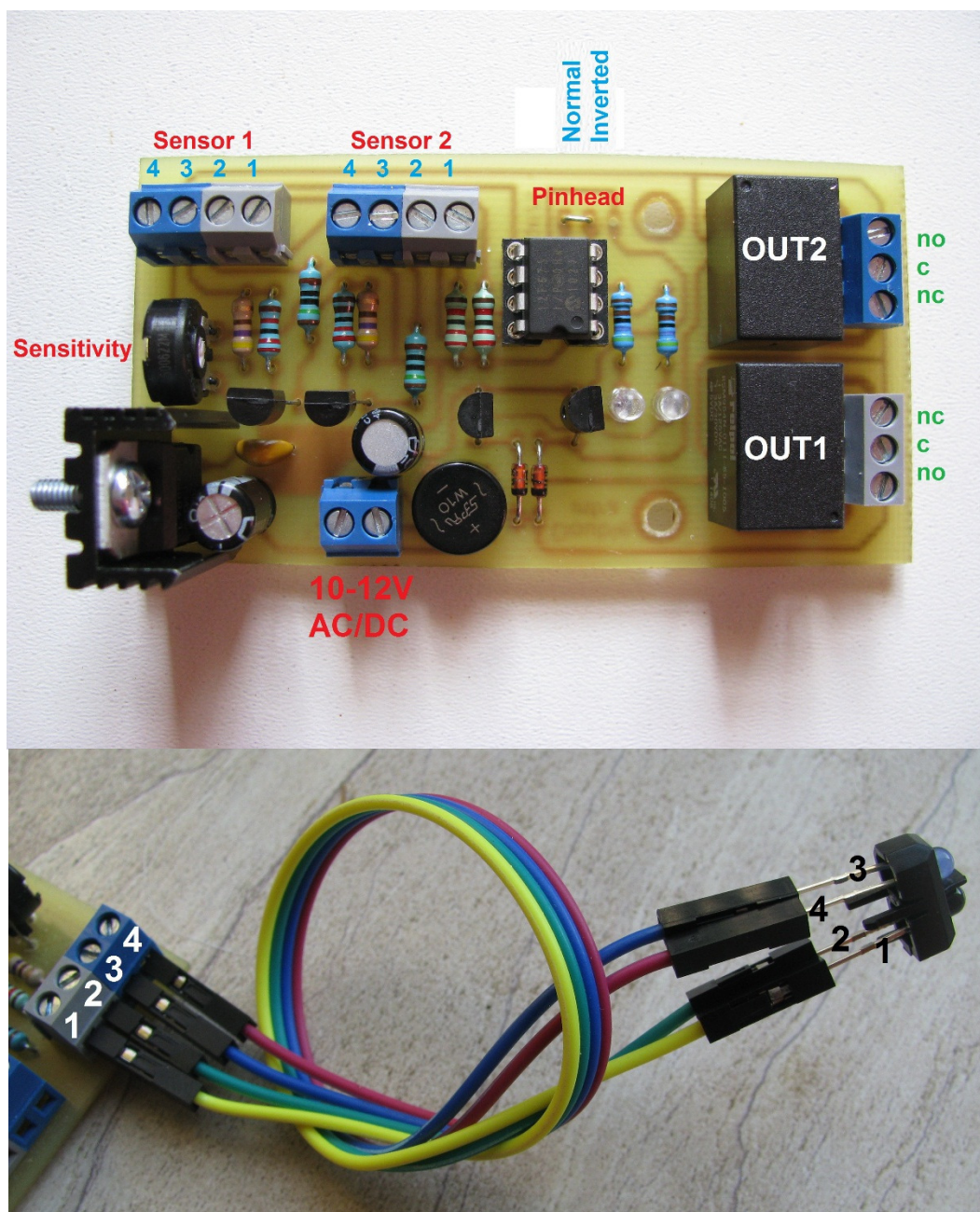
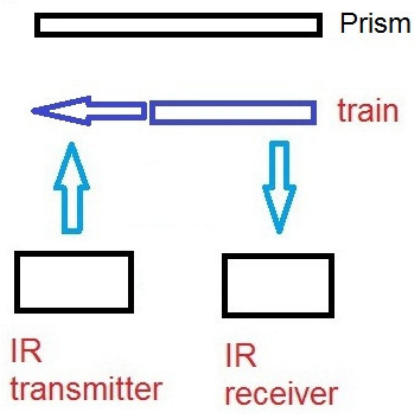


INFRAGATE RELAY

- power supply 12-15V AC/DC
- 2 relay outputs (each 3A/125V)
- adjustable sensitivity
- LED output status indication
- 2 modes selectable with pinhead:
 - Normal: outputs are active if the sensor is covered (obstacle version)
 - Inverted: outputs are active if the sensor is uncovered (reflective version)



OBSTACLE
VERSION



REFLECTIVE
VERSION

